
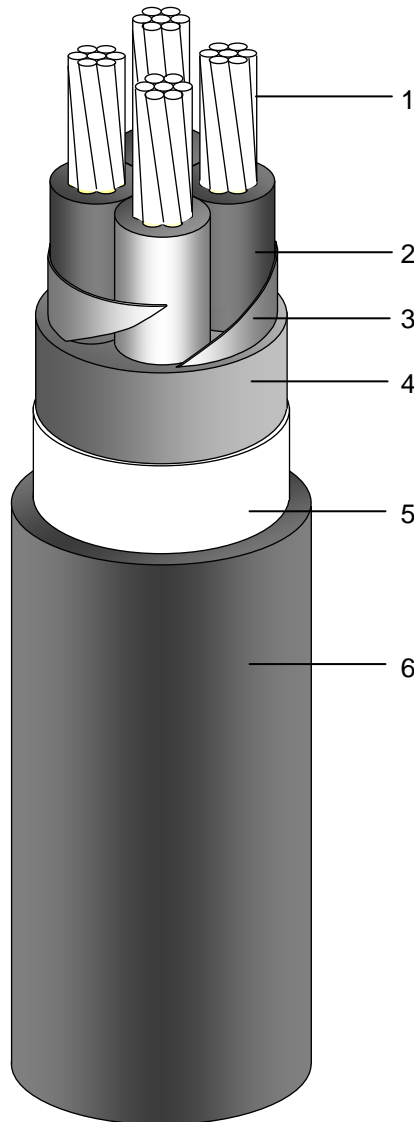


TECHNICAL DETERMINATION	PT PRYSMIAN CABLES INDONESIA	No : E08/I/243-2
		Issue : 1
		Date : 01-April-2009
		Pages : 6 of 7
CONSTRUCTION		

CU/XLPE/PVC/DSTA/PVC 0.6/1KV
 Cables Construction According to IEC 60502-1
 Flame Retardant According to IEC 60332-1



CONSTRUCTION


- 1 CONDUCTOR : Plain Annealed Stranded Copper Wires
According to IEC 60228, Class 2
- 2 INSULATION : XLPE Insulation Compound
- 3 BINDING TAPE : Polyester Tape
- 4 INNER COVERING : PVC Compound
- 5 METALLIC ARMOUR : Double Galvanized Steel Tape
- 6 OVERSHEATH : PVC ST2 - Black

Identification of Cores

Black with Numbering Printing + Yellow/Green

Marking on Oversheath

PRYSMIAN CABLES N2XBY 0.6/1KV XLPE/PVC/DSTA/PVC-FR
 IEC-60332-1 25X1.5MM2 + Length Marking

TECHNICAL DETERMINATION	PT PRYSMIAN CABLES INDONESIA	No : E08//243-2
		Issue : 1
		Date : 01-April-2009
		Pages : 6 of 7

TECHNICAL DATA TABLE

CU/XLPE/PVC/DSTA/PVC 0.6/1KV

DIMENSIONAL DATA

Voltage		KV	0.6/1	0.6/1	0.6/1	0.6/1
Size	Nominal	mm	7x1.5	12x1.5	19x1.5	25x1.5
			Nom.	Nom.	Nom.	Nom.
Conductor Type (Phase)			Compact	Compact	Compact	Compact
Conductor Diameter	Approx	mm	1.6	1.6	1.6	1.6
Insulation Thickness	Nominal	mm	0.7	0.7	0.7	0.7
Insulation Diameter	Approx	mm	3.1	3.1	3.1	3.1
Inner Covering Thickness	Approx	mm	1.0	1.0	1.0	1.0
Steel Tape Thickness	Nominal	mm	0.2	0.2	0.2	0.2
Diameter Over Armour	Approx	mm	12.2	15.7	18.4	21.9
Oversheath Thickness	Nominal	mm	1.8	1.8	1.8	1.8
External Diameter of Cable	Approx	mm	15.9	19.4	22.1	25.6
Mass of Cable	Approx	kg/km	414	592	790	906
Shipping Length	Nominal	M	1000	1000	1000	1000
Bending Radius during installation	Maximum	mm	254	310	354	410

ELECTRICAL DATA

DC Resistance at 20°C (Phase)	Maximum	Ohm/km	12.1	12.1	12.1	12.1
-------------------------------	---------	--------	------	------	------	------